



Since 1979

POLYETHYLENE (PE) WATER TANK

Chin Lean PE Water Tank are designed for efficiency and quick installation. Polyethylene tank are seamless, water tight, chemical resistant and won't crack or rust.

CYLINDRICAL series



Warranty



Certification



CYLINDRICAL series

Features

- Certified by SIRIM QAS International Sdn. Bhd. with License No.: PC007118
Standard reference: MS 1225-1 : 2014
- Application : Cold water storage for indoor and outdoor use.
- Material : Polyethylene (PE)

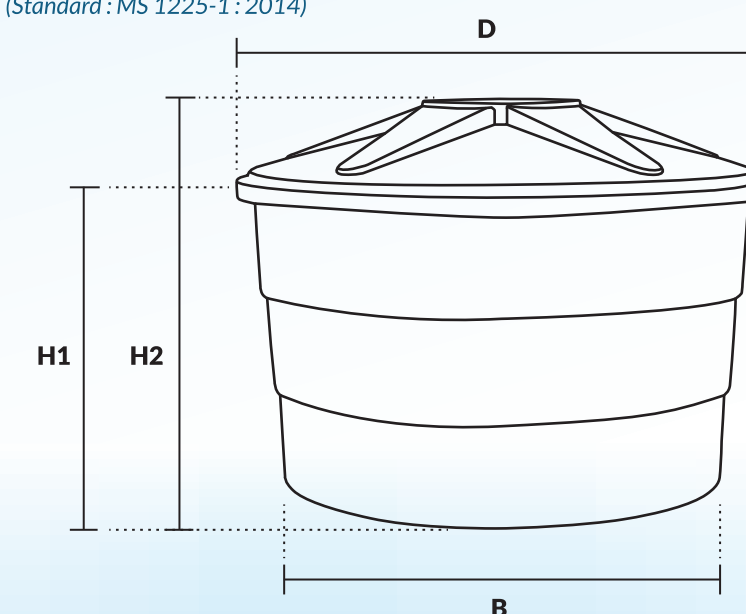
Advantages

- # Easy maintenance
- # Cost effective
- # Non-Toxic
- # Fast and easy to install
- # Protection from corrosion
- # UV protected
- # Lightweight

Dimension

MODEL	NOMINAL CAPACITY	EXTERNAL DIMENSION MM (INCH)			
		TOP (D)	BOTTOM (B)	HEIGHT (H1)	HEIGHT (H2)
CN 50	80 Gal	1070 (42")	915 (36")	482 (19")	560 (22")
CN 70	100 Gal	1168 (46")	990 (39")	559 (22")	585 (23")
CN 100	150 Gal	1194 (47")	965 (38")	712 (28")	813 (32")
CN 150	200 Gal	1450 (57")	1220 (48")	635 (25")	787 (31")
CN 200	250 Gal	1525 (60")	1245 (49")	787 (31")	915 (36")
CN 250	300 Gal	1475 (58")	1245 (49")	850 (33")	940 (37")
CN 300	400 Gal	1757 (62")	1200 (48")	1117 (44")	1245 (49")
CN 400	500 Gal	1702 (67")	1346 (53")	1194 (47")	1321 (52")
CN 500	600 Gal	1753 (69")	1397 (55")	1372 (54")	1524 (60")
MODEL	NOMINAL CAPACITY	TOP (D)	BOTTOM (B)	HEIGHT (H1)	HEIGHT (H2)
CN 300	350 Gal	1575 (62")	1245 (49")	1245 (49")	1500 (59")
CN 350	400 Gal	1550 (61")	1235 (48")	1370 (54")	1625 (64")

(Capacity more than 600 Gal (Standard : MS 1225-1 : 2014)



CHIN LEAN

CHIN LEAN PLASTIC FACTORY SDN BHD(049922-V)

Lot No. 5005, Jalan Chui Chak, 36700 Langkap, Perak, Malaysia

T +605-659 3444 (3 Lines) • F +605-659 3175

wasap.my/60195137473

chinlean49922@gmail.com / sales@chinlean.com

www.chinlean.com.my / www.chinlean.com

