



Since 1979

POLYETHYLENE (PE) STATIC TANK

Chin Lean PE Static Tank are designed for efficiency and quick installation. Polyethylene tank are seamless, water tight, chemical resistant and won't crack or rust.

Model CN 880

Features

- SIRIM certified : MS1225-1 & 2
- Application : Water storage tanks for the ground level and terrace level of the building
- Material : Polyethylene (PE)

Advantages

- # Cost effective
- # UV protected
- # Lightweight
- # Fast and easy to install
- # Protection from corrosion
- # Environmentally Safe

Warranty



Certification

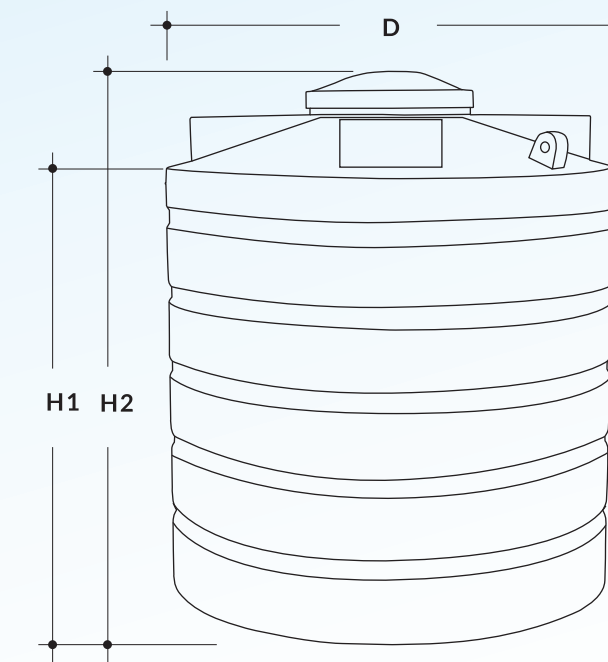


POLYETHYLENE STATIC TANK

Dimension

MODEL	NOMINAL CAPACITY	External Dimension mm (inch)		
		TOP (D)	HEIGHT (H1)	HEIGHT (H2)
CN 880	1000 Gal	1760 (69")	1670 (66")	1980 (78")

Capacity more than 600 Gal (Standard : MS 1225: part 2:2006)



CHIN LEAN

CHIN LEAN PLASTIC FACTORY SDN BHD(049922-v)
Lot No. 5005, Jalan Chui Chak, 36700 Langkap, Perak, Malaysia

T +605-659 3444 (3 Lines) • F +605-659 3175

wasap.my/60195137473

chinlean49922@gmail.com / sales@chinlean.com

www.chinlean.com.my / www.chinlean.com

