



Since 1979

# POLYETHYLENE (PE) SEPTIC TANK

Chin Lean PE Septic Tank are designed for efficiency and quick installation. Polyethylene tank are seamless, water tight, chemical resistant and won't crack or rust.

## Model CLST 1.5

### Features

- Complied to : CSA B66
- Application : For individual sewage treatment plant.
- Material : Polyethylene (PE)

### Advantages

- # Cost effective
- # UV protected
- # Lightweight
- # Fast and easy to install
- # Protection from corrosion
- # Environmentally Safe

### Warranty



### Certification



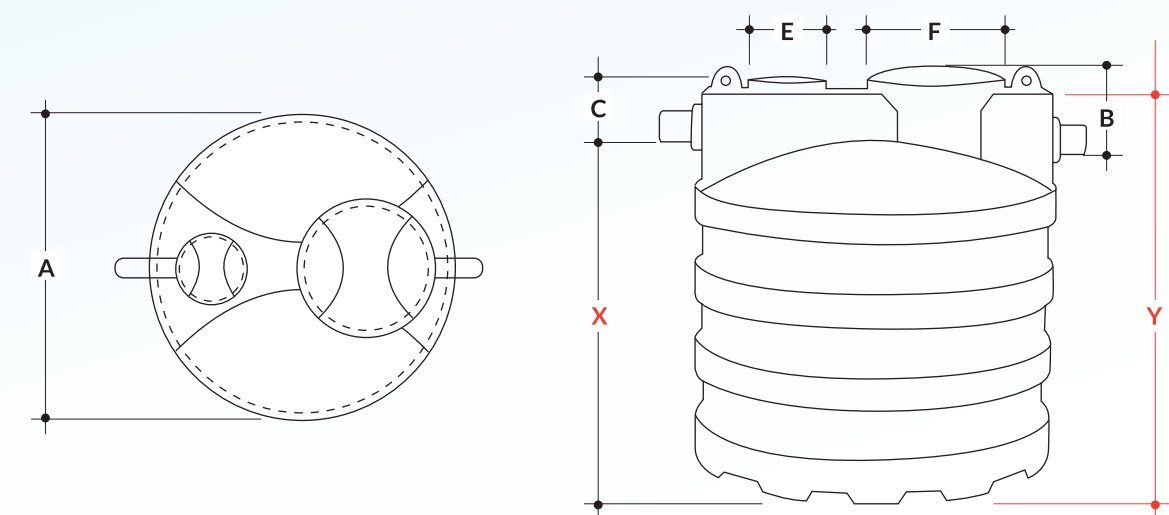
# POLYETHYLENE SEPTIC TANK

### Specifications

Model	CLST 1.5	
Capacity (L)	1500	
Tank Orientation	Vertical	
Population Equivalent (PE) served	PE 6	

### Dimension (mm)

X - 1200 (Overall Tank Depth)	A - 1350 mm	E - 230 mm
Y - 1485 (Liquid Depth)	B - 315 mm	F - 420 mm
	C - 210 mm	



CHIN LEAN

**CHIN LEAN PLASTIC FACTORY SDN BHD**(049922-V)

Lot No. 5005, Jalan Chui Chak, 36700 Langkap, Perak, Malaysia

T +605-659 3444 (3 Lines) • F +605-659 3175

wasap.my/60195137473

chinlean49922@gmail.com / sales@chinlean.com

www.chinlean.com.my / www.chinlean.com

