



Since 1979

POLYETHYLENE (PE) SEPTIC TANK

Chin Lean PE Septic Tank are designed for efficiency and quick installation. Polyethylene tank are seamless, water tight, chemical resistant and won't crack or rust.

Model CLST 1.2

Features

- Complied to : CSA B66
- Application : For individual sewage treatment plant.
- Material : Polyethylene (PE)

Advantages

- # Cost effective
- # UV protected
- # Lightweight
- # Fast and easy to install
- # Protection from corrosion
- # Environmentally Safe



Warranty



Certification



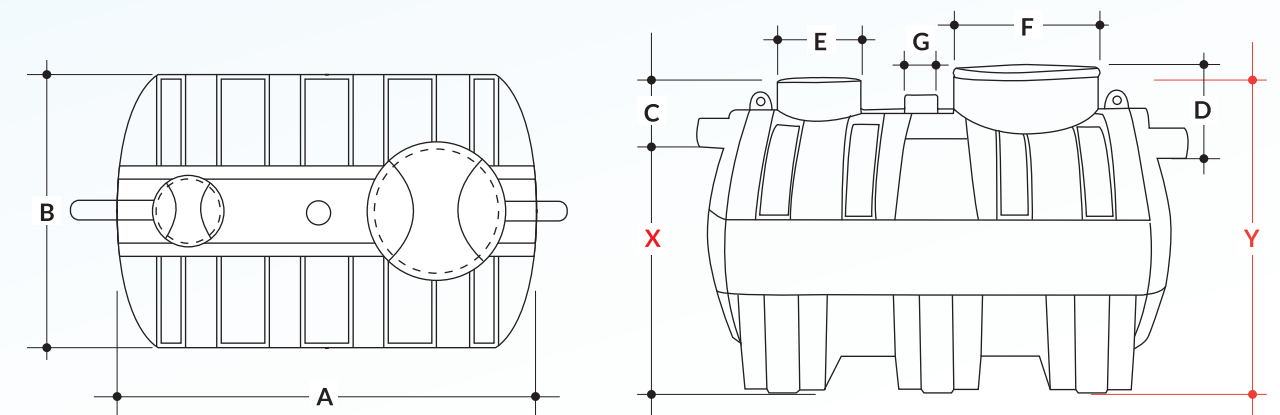
POLYETHYLENE SEPTIC TANK

Specifications

Model	CLST 1.2	
Capacity (L)	1200	
Tank Orientation	Horizontal	
Population Equivalent (PE) served	PE 5	

Dimension

X - 770m (Overall Tank Depth)	A - 1200 mm	E - 230 mm
Y - 1050m (Liquid Depth)	B - 1470 mm	F - 420 mm
	C - 220 mm	G - 50 mm
	D - 230 mm	



CHIN LEAN

CHIN LEAN PLASTIC FACTORY SDN BHD(049922-V)
Lot No. 5005, Jalan Chui Chak, 36700 Langkap, Perak, Malaysia

T +605-659 3444 (3 Lines) • F +605-659 3175

wasap.my/60195137473

chinlean49922@gmail.com / sales@chinlean.com

www.chinlean.com.my / www.chinlean.com

